

TOUR RIG 500 kg

CHAIN HOIST



CHAIN HOIST

TOUR RIG 500 kg

FIXED SPEED SERIES: LOW VOLTAGE

The TOUR RIG 500 kg is the lightest and safest hoist in the industry. Standard features like contactor control, overload protection system, double brakes and hook suspension will turn your TOUR RIG 500 kg into your most essential piece of rigging equipment.

And options like direct control, external limit and one-hole suspension eye plate will give you versatility and value for your money.

The TOUR RIG 500 kg can also be configured in double reeved to reach a capacity of 1000 kg, unleashing twice the lifting capacity at half the speed. Fast and easy set-up.

The Standard configuration comes with:

FEATURES

- Speed range 16 ft/min
- Capacity 500 kg (1100 lbs) (1000 kg (2200 lbs) in double reeved format)
- Jam free plate
- Very quiet operation
- 5 pocket chain wheel for smooth operation
- Lightweight aluminium body
- Friction clutch for overload protection
- Protection IP44
- Road Case Available

Other models available. Contact us for more information.



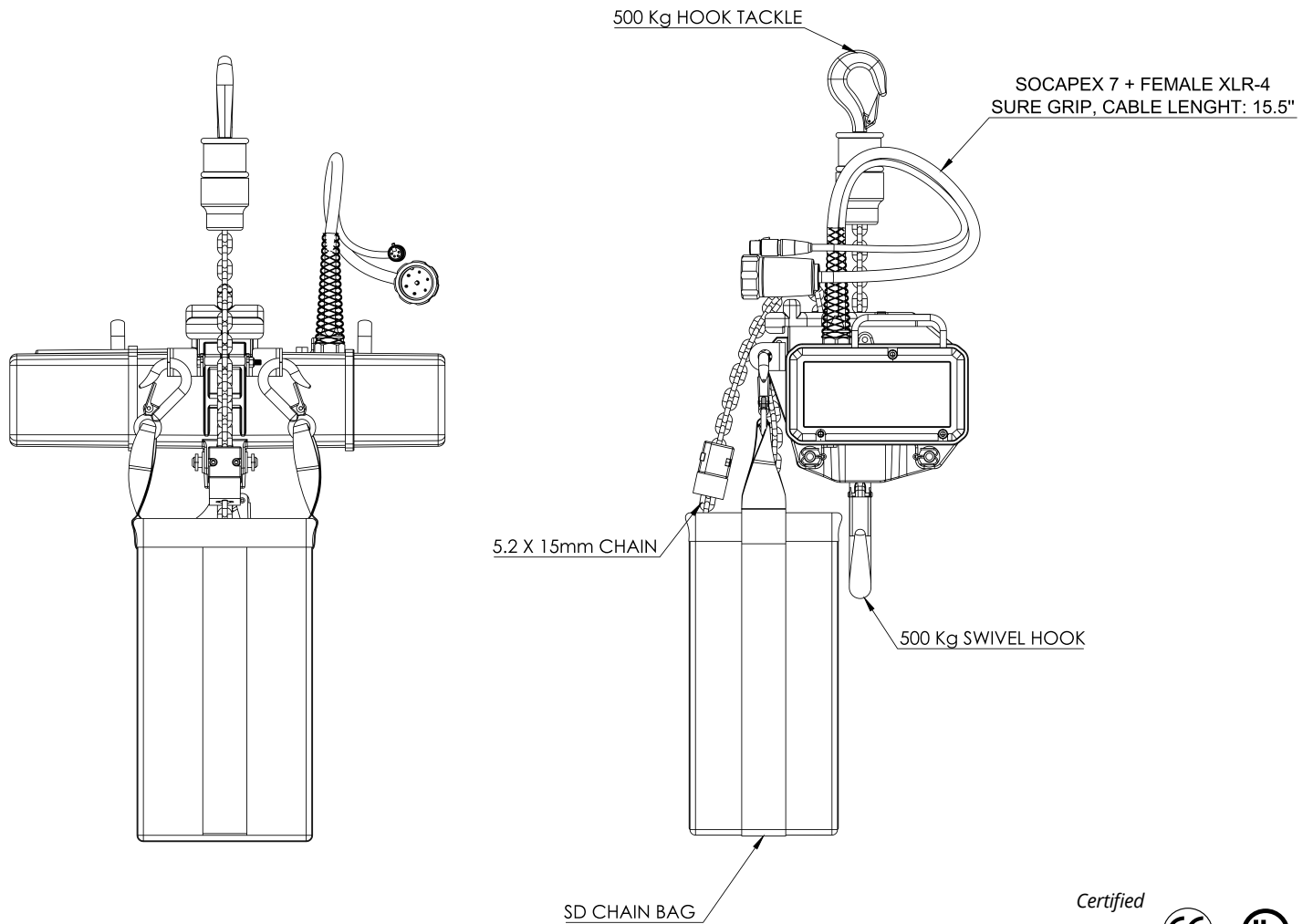
FRONT



BACK

CHAIN HOIST

TOUR RIG 500 kg



Certified



TECHNICAL DATA

● Hoist Model N°	SK030/10-LV	● Control	24V
● Max Capacity	500kg	● Motor FLA	2,3A
● Clutch Limit	700kg	● Chain Size	5,2 X 15 mm
● Hoist Position	UP/DOWN	● Chain Type	Black/Zinc
● Motor kW/HP	0,37kW	● Chain weight/ft	0.37 lbs
● Motor Voltage	208V	● Hoist Body Weight	48 lbs

JOEL THEATRICAL RIGGING CONTRACTORS
 375 Watline Ave, Mississauga, On, L4Z 1P3
 1-905-890-8802 | JOELTHEATRICAL.COM

