

# TOUR RIG 500 kg

## CHAIN HOIST



# CHAIN HOIST

## TOUR RIG 500 kg

### FIXED SPEED SERIES: DIRECT CONTROL

The TOUR RIG 500 kg is the lightest and safest hoist in the industry. Standard features like contactor control, overload protection system, double brakes and hook suspension will turn your TOUR RIG 500 kg into your most essential piece of rigging equipment.

And options like direct control, external limit positioning encoders and one-hole suspension eye plate will give you versatility and value for your money.

The TOUR RIG 500 kg can also be configured in double reeved to reach a capacity of 1000 kg, unleashing twice the lifting capacity at half the speed. Fast and easy set-up.

The Standard configuration comes with:

### FEATURES

- Speed range 16 ft/min
- Capacity 500 kg (1 100 lbs) (1000 kg (2200 lbs) in double reeved format)
- Jam free plate
- Very quiet operation
- 5 pocket chain wheel for smooth operation
- Lightweight aluminium body
- Friction clutch for overload protection
- Protection IP44
- Road Case available



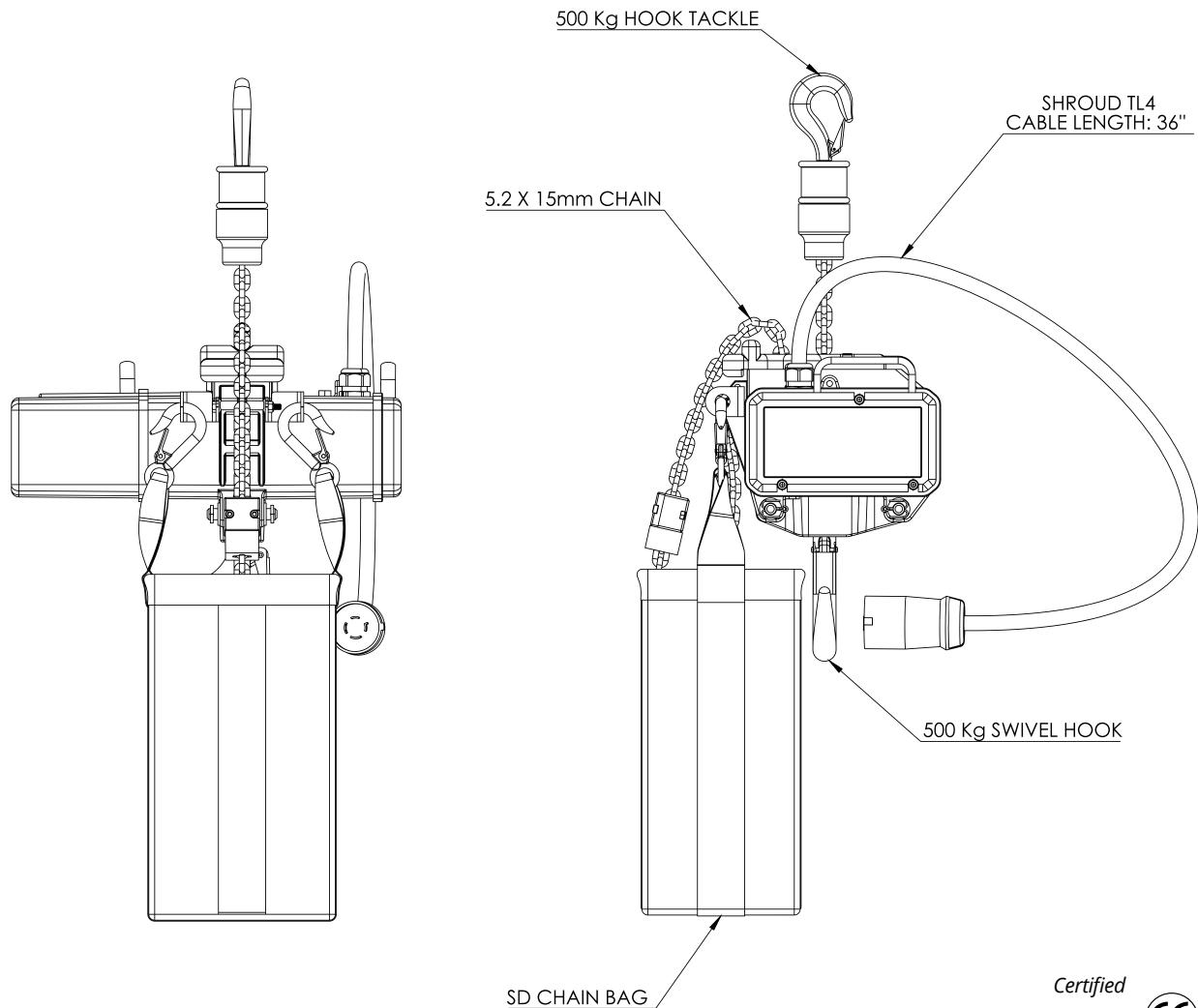
FRONT



BACK

# CHAIN HOIST

## TOUR RIG 500 kg



Certified



### TECHNICAL DATA

● Hoist Model N°	SK030/10-DC	● Control	Direct
● Max Capacity	500kg	● Motor FLA	2,3A
● Clutch Limit	700kg	● Chain Size	5,2 X 15 mm
● Hoist Position	UP/DOWN	● Chain Type	Black/Zinc
● Motor kW/HP	0,37kW	● Chain weight/ft	0.36 lbs
● Motor Voltage	208V	● Hoist Body Weight	45 lbs

