

# TOUR RIG 1000 kg

**DOUBLE BRAKES CHAIN HOIST**



# CHAIN HOIST

# TOUR RIG 1000 kg

## DOUBLE BRAKES

### FIXED SPEED SERIES : LOW VOLTAGE

The TOUR RIG 1000 kg is the lightest and safest hoist in the industry. Standard features like contactor control, double brakes, overload protection system, and hook suspension will turn your TOUR RIG 1000 kg into your most essential piece of rigging equipment. And options like direct control, 4 channel gear limit switch (external or internal), positioning encoders and eye plate will give you versatility and value for your money.

The TOUR RIG 1000 kg can also be configured in double reeved to reach a capacity of 2000 kg, unleashing twice the lifting capacity at half the speed. Fast and easy set-up.

The Standard configuration comes with:

## FEATURES

- Speed range 16 ft/min
- Capacity 1000 kg (2200 lbs) D8 Standard (2000 kg (4400 lbs) in Double Reeved format)
- Jam free plate
- Very quiet operation
- 5 pocket chain wheel for smooth operation
- Lightweight aluminium body
- Friction clutch for overload protection
- Protection IP44
- Road case available

Other models available. Contact us for more information.



FRONT

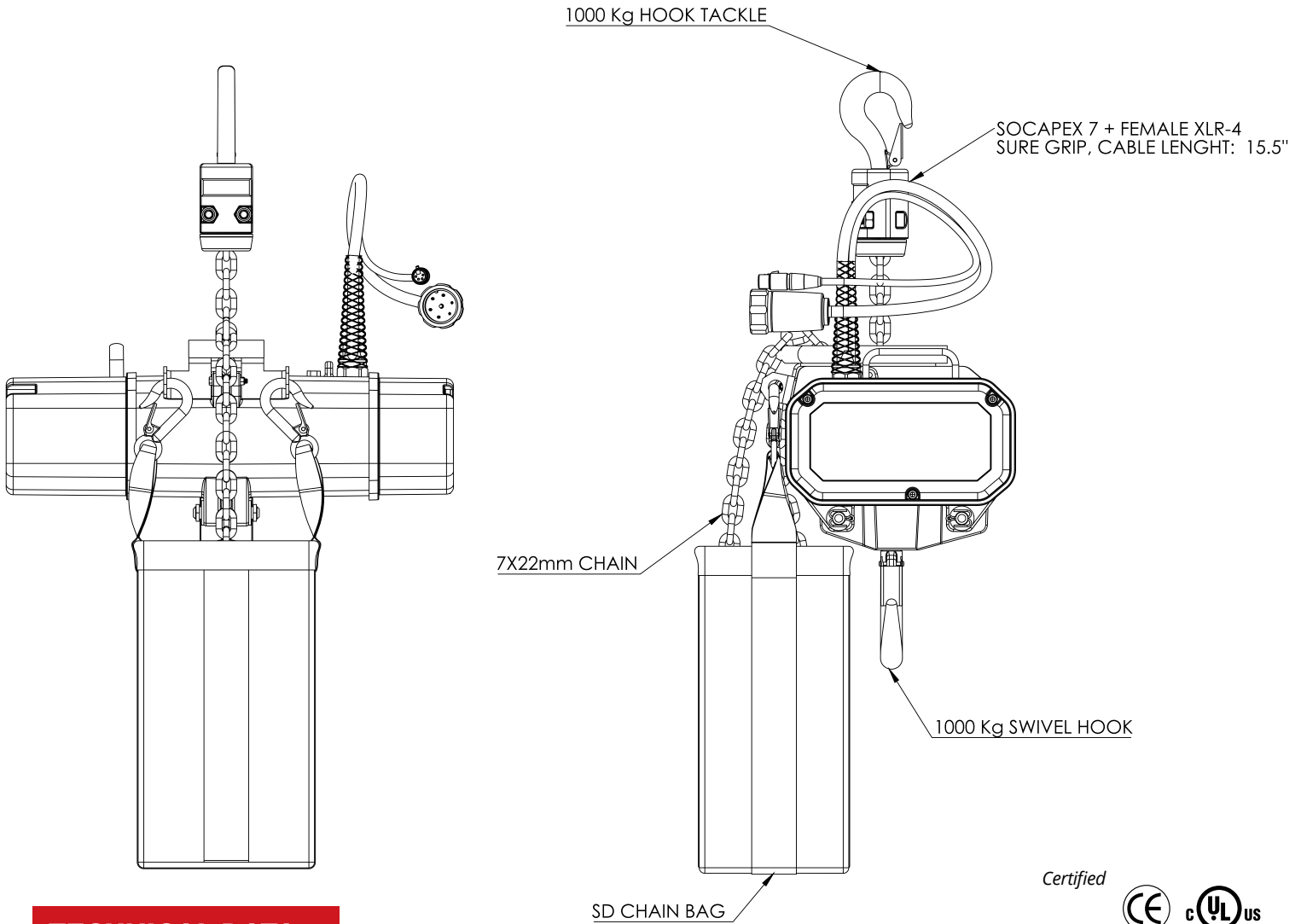


BACK

# CHAIN HOIST

## TOUR RIG 1000 kg

### DOUBLE BRAKES



Certified



#### TECHNICAL DATA

● Hoist Model N°	SB4.1/12J-LV	● Control	24V
● Max Capacity	1000kg	● Motor FLA	5,6A
● Clutch Limit	1400kg	● Chain Size	7 X 22 mm
● Hoist Position	UP/DOWN	● Chain Type	Black/Zinc
● Motor kW/HP	0,75W	● Chain weight/ft	0.74 lbs
● Motor Voltage	208V	● Hoist Body Weight	71 lbs

JOEL THEATRICAL RIGGING CONTRACTORS  
 375 Watline Ave, Mississauga, On, L4Z 1P3  
 1-905-890-8802 | [JOELTHEATRICAL.COM](http://JOELTHEATRICAL.COM)

