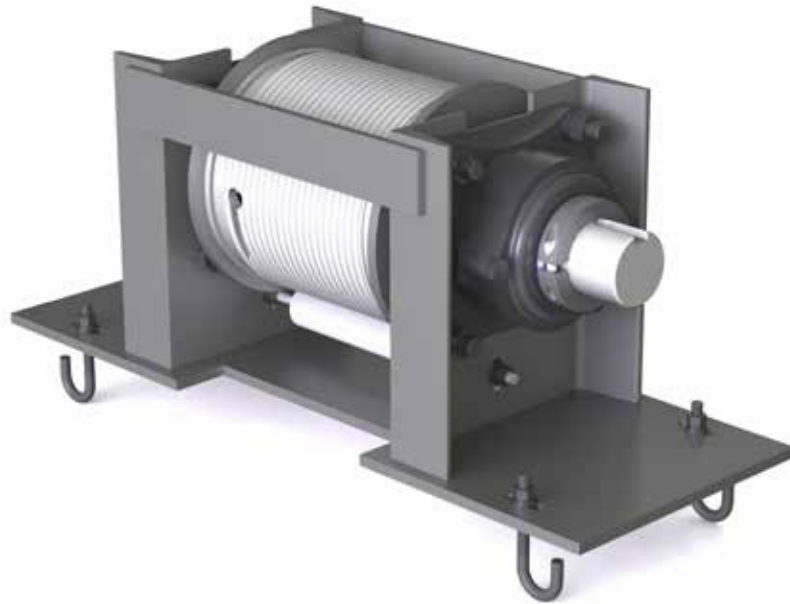


JOEL RIGGING - HELICAL DRUM BLOCK

LINE SHAFT HOIST COMPENENT

JOEL Rigging Helical Drum Blocks are designed to be incorporated into a complete line shaft hoist system.

The drum is machined to suit the cable diameter and required travel for the system, supported on flange bearings and supplied with cable retaining roller.

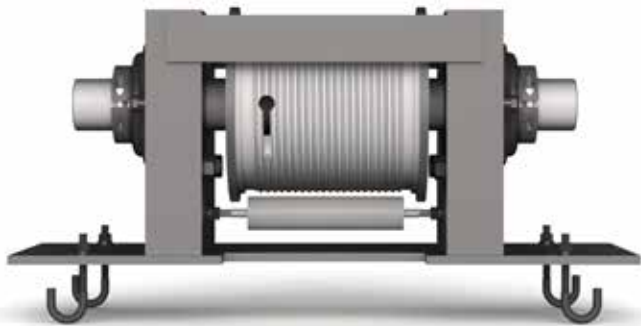


The Standard configuration comes with:

FEATURES

- Painted Black
- Available with right and left hand
- Available for 3/16" - 3/4" cable
- Can be installed upright or underhung

JOEL RIGGING - HELICAL DRUM BLOCK



FRONT VIEW



TOP VIEW



RIGHT SIDE VIEW

