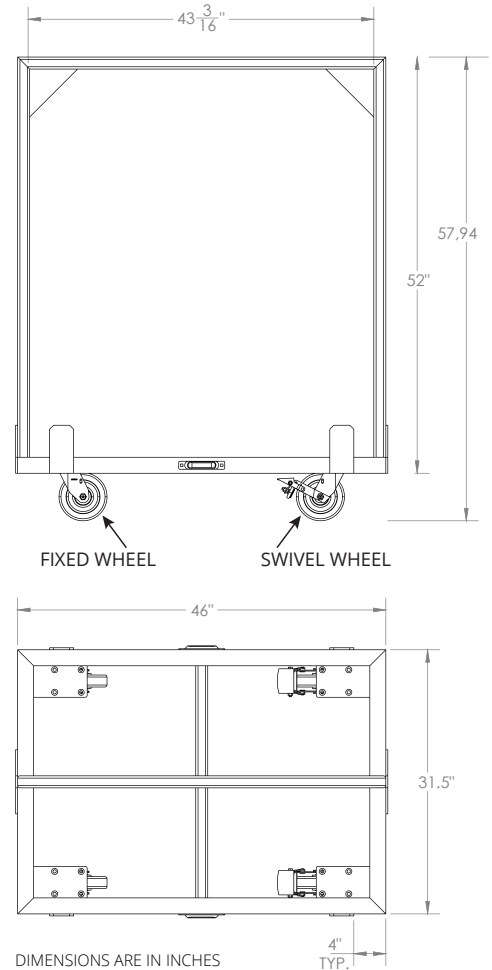


# STAGING ACCESSORIES

## MOVE & STORE CARTS

Move and store as many as 6 **SHOWSDT** platforms at a time. Move & Store Carts move easily down hallways, around corners, and over thresholds. If you have to go up or down a stairway, two people can easily carry the decks separately.



The Standard configuration comes with:

### FEATURES

- 4 casters (2 with brakes, 2 without brakes)
- Easy setup and tear-down
- Can be set up by one person, no tools required
- Compatible with 4'x8' or others platform sizes
- Provides storage for 6 platforms

**JOEL THEATRICAL RIGGING CONTRACTORS**  
375 Watline Avenue, Mississauga, On, L4Z 1P3  
1-905-890-8802 | [JOELTHEATRICAL.COM](http://JOELTHEATRICAL.COM)

