

# GALA LIFT

## SPIRALIFT TECHNOLOGY

The Spiralift is the basic component of some of the best world-renowned platform lifts such as orchestra, stage and piano lifts. This technology uses two bands of intertwining stainless steel to form a strong and stable column. The Spiralift requires relatively low-power electric motor drives thanks to its very high mechanical efficiency.

Spiralift units can be configured easily in modular designs to suit any platform geometry and building architecture. Multiple units can be linked to the same drive train and fully synchronized.

JOEL RIGGING is an authorized service center for GALA Spiralifts.



LIVING ARTS CENTRE, MISSISSAUGA

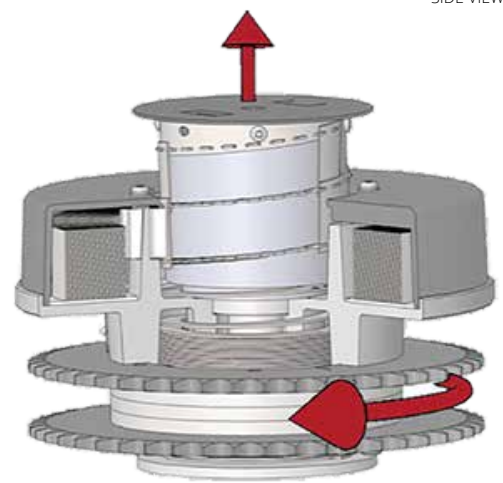
The Standard configuration comes with:

## FEATURES

- Compact closed height
- Reliable
- Does not require excavation
- Easy to install
- Adaptable
- Minimal maintenance
- Sturdy



SIDE VIEW



TECHNICAL VIEW

## TECHNICAL DATA

Contact GALA SYSTEMS for specific product information  
<https://www.galasytems.com/en/spiralift/>

**JOEL THEATRICAL RIGGING CONTRACTORS**  
375 Watline Ave, Mississauga, On, L4Z 1P3  
1-905-890-8802 | [JOELTHEATRICAL.COM](http://JOELTHEATRICAL.COM)

