

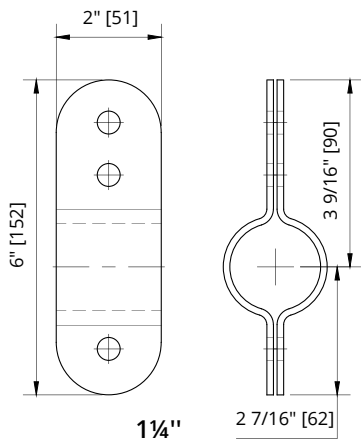
JOEL RIGGING PIPE CLAMP

JOEL Pipe Clamps provide a secure connection to a pipe batten, fully encircling the batten to prevent the connection from sliding.

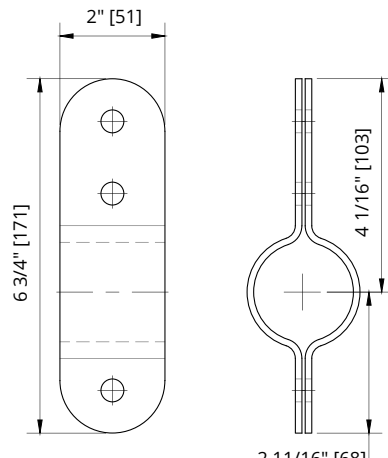
Used for counterweight, dead hang rigging, pipe girds, fire curtains and scenery suspension.

FEATURES

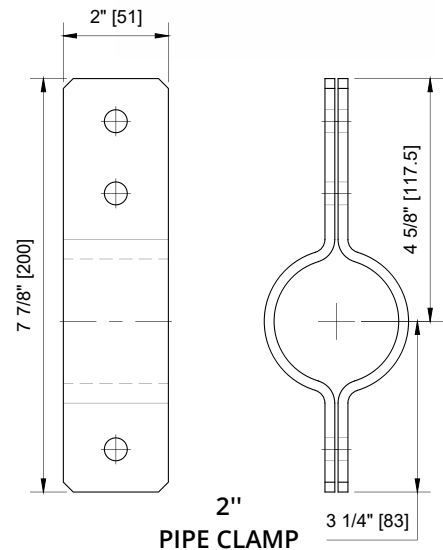
- Steel clamps with black finish
- Full clamps have rounded corners
- Supplied with 3/8" x 1 1/4" grade 5 bolts, lock washers and nuts and a 7/16" hole to connect a shackle.
- Pipe clamps are 12 gauge steel



1 1/4"
PIPE CLAMP



1 1/2"
PIPE CLAMP



2"
PIPE CLAMP

TECHNICAL DATA

Model N°	Description	SWL*	Weight
• 2814-J	1.25" (31.75 mm) Joel pipe clamp	750 lbs (340 kg)	1 lb (0.45 kg)
• 2815-J	1.5" (38.1 mm) Joel pipe clamp	750 lbs (340 kg)	1 lb (0.45 kg)
• 2816-J	2" (50.8 mm) Joel pipe clamp	750 lbs (340 kg)	1 lb (0.45 kg)

*SWL: maximum load that can be applied to the pipe clamp which is in "like new" condition and has been properly installed, maintained, and operated.

JOEL THEATRICAL RIGGING CONTRACTORS
375 Watline Ave, Mississauga, On, L4Z 1P3
1-905-890-8802 | JOELTHEATRICAL.COM



V2.1_0122

