

# JOEL RIGGING T BAR

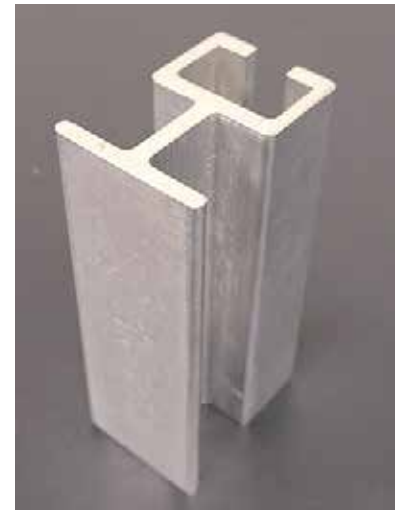
## T Channel

This innovative design revolutionizes the installation of counterweight rigging system wall frames. JOEL Rigging Aluminum T-Channel has superior strength than traditional steel T profiles. The profile permits mounting hardware along its entire length thereby reducing installation time and costs as compared to traditional steel guide systems.

The JOEL Rigging Aluminum T-Channel provides the guiding system for JOEL Rigging counterweight carriages and floor blocks. The top stop, bottom stop and floor batten are fastened to the face of the T Channel.

JOEL Rigging Aluminum T-Channel can be supplied up to 36' long, reducing the number of splices and fittings required for installation.

Supports for the index lighting pipe and scenery leaning pipe are site installed to not conflict with operation of the linesets.

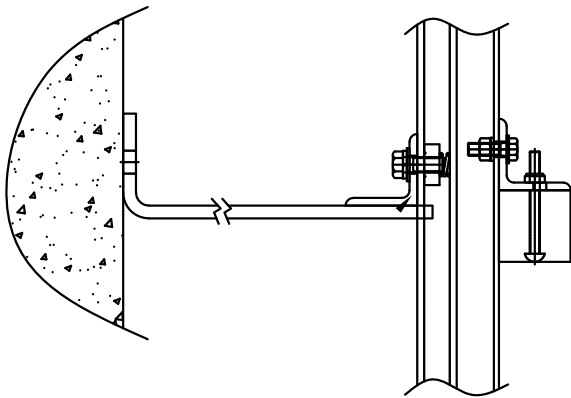


The Standard configuration comes with:

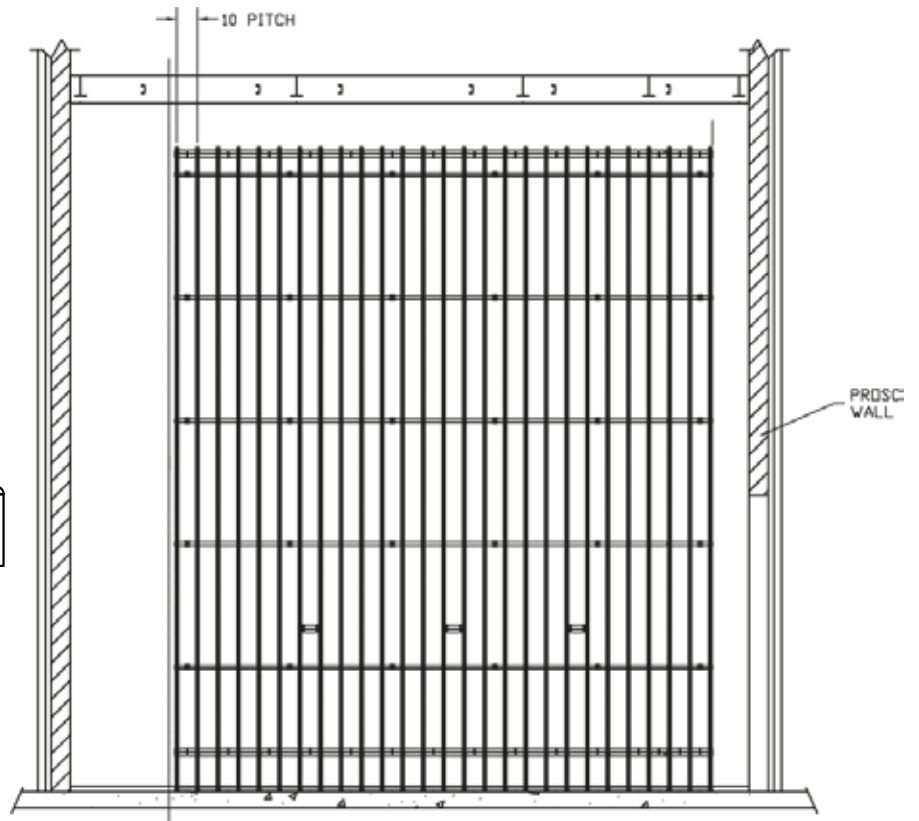
## FEATURES

- Standard length 20'
- Standard Finish bare
- Black anodized available
- Available upto 36' long

# JOEL RIGGING T BAR



SIDE VIEW - DETAIL



PARTIAL ELEVATION - TYPICAL

