

# JOEL RIGGING STAGE LOCKING RAIL

## Stage Floor Mounted

Supports JOEL Rigging Rope locks and the write-on strip to identify linesets.

Rope locks are mounted to 3" x 2" x 5/16" Angle, the write on strips is mounted on an angle for easy viewing.

Constructed to withstand a 500 lbs per linear foot (744.5 kg/m) up load (RWL).

Write on strips can be written on using erasable marker or grease pencil.

Mounts to the Stage floor at the bottom of the counterweight wall frame.

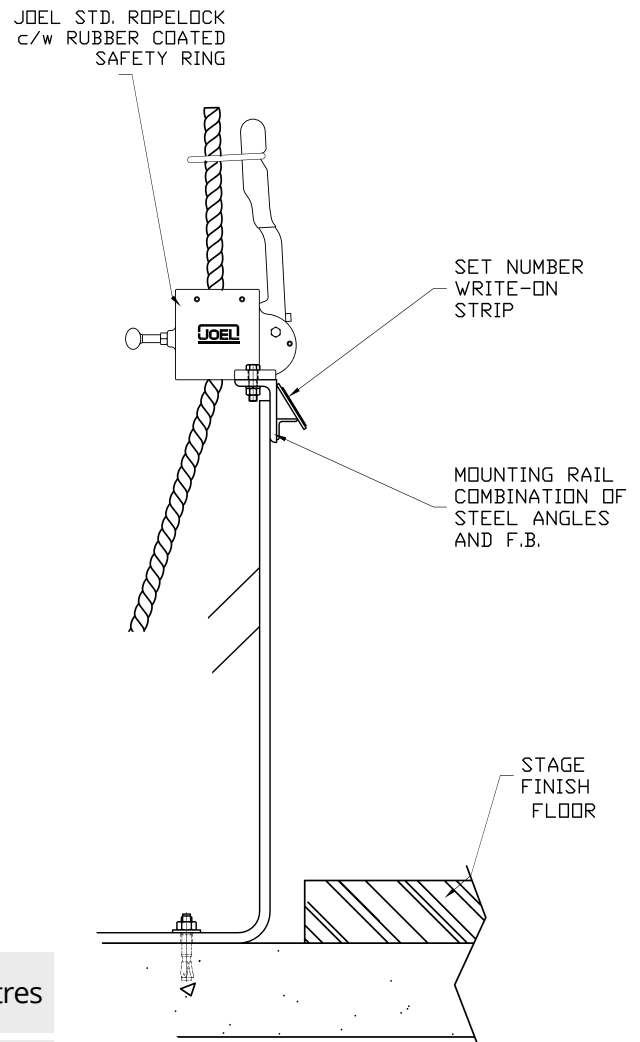
Mounting method must be able to withstand the imposed load.

Mounting stanchions are located on 5' (1.52m) (maximum) centers and made from 1/2" thick x 3" Wide Flatbar.

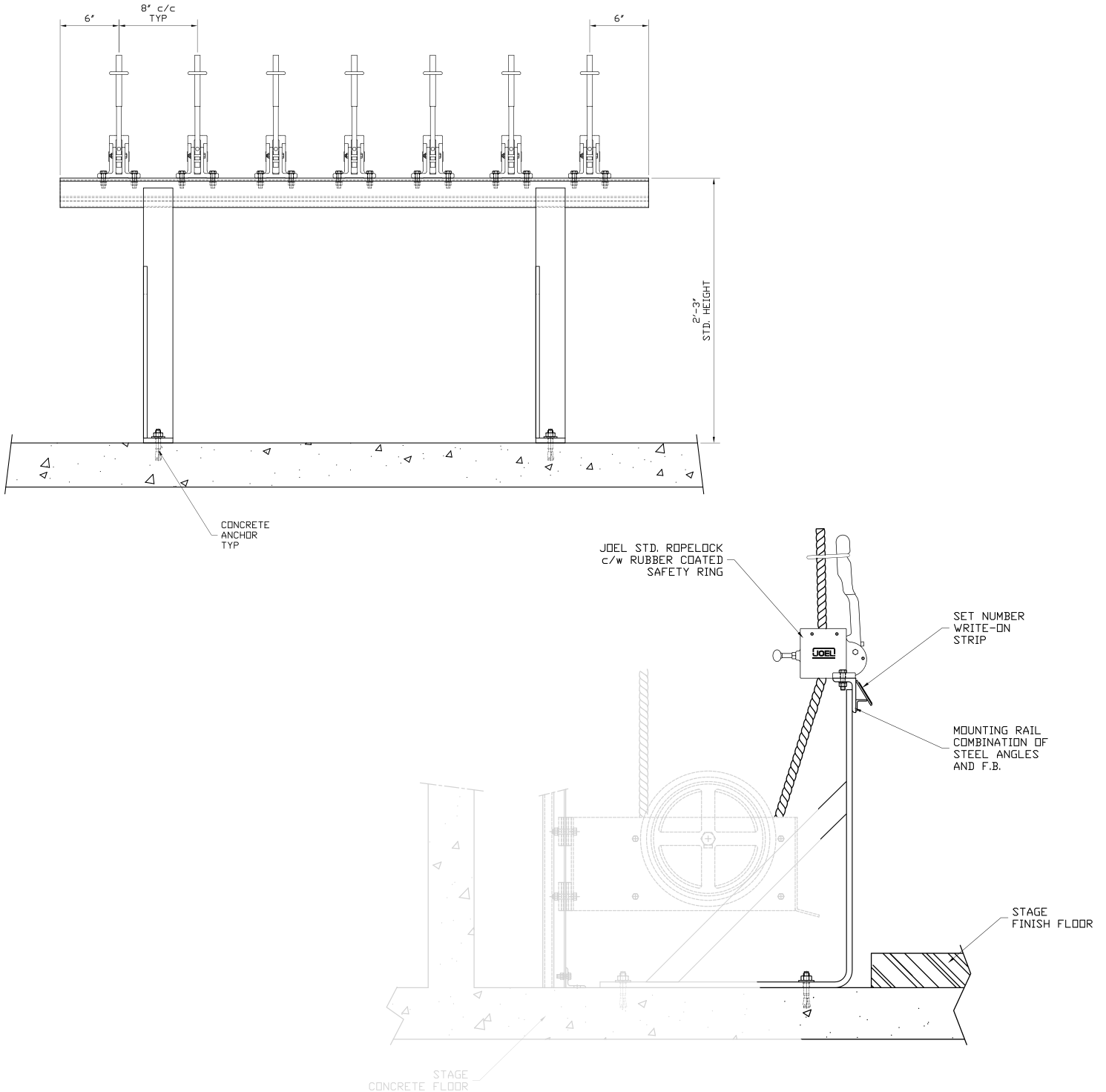
The Standard configuration comes with:

## FEATURES

- Top face drilled for JOEL Rigging Rope Locks, to suit linset centres
- Continuous write-on strips
- Painted Black
- Optional: Top face drilled to suit eye bolts for tie offs
- Optional: Capstan HSS tube



# JOEL RIGGING STAGE LOCKING RAIL



**JOEL THEATRICAL RIGGING CONTRACTORS**  
375 Watline Ave, Mississauga, On, L4Z 1P3  
1-905-890-8802 | [JOELTHEATRICAL.COM](http://JOELTHEATRICAL.COM)



V2.1.0122

