

JOEL RIGGING ROPE LOCK

Rope Lock or Operating Line Lock

JOEL Rigging Rope Locks, have cast iron body, hardened dogs and handle. Handle and ring are red rubber coated, with a silencing bumper built in to reduce noise during operation. Complete with thumbscrew for adjustment of the ropelock.

Drilled to suit JOEL Rigging Standard Locking Rails, Rope locks are designed to maintain the position of a balanced load, max inbalance 50 lbs.

JOEL Rigging Rope locks are not to be used to control a linset in motion or as a braking device.



SHOWN WITH OPTIONAL LOCKING TABS.

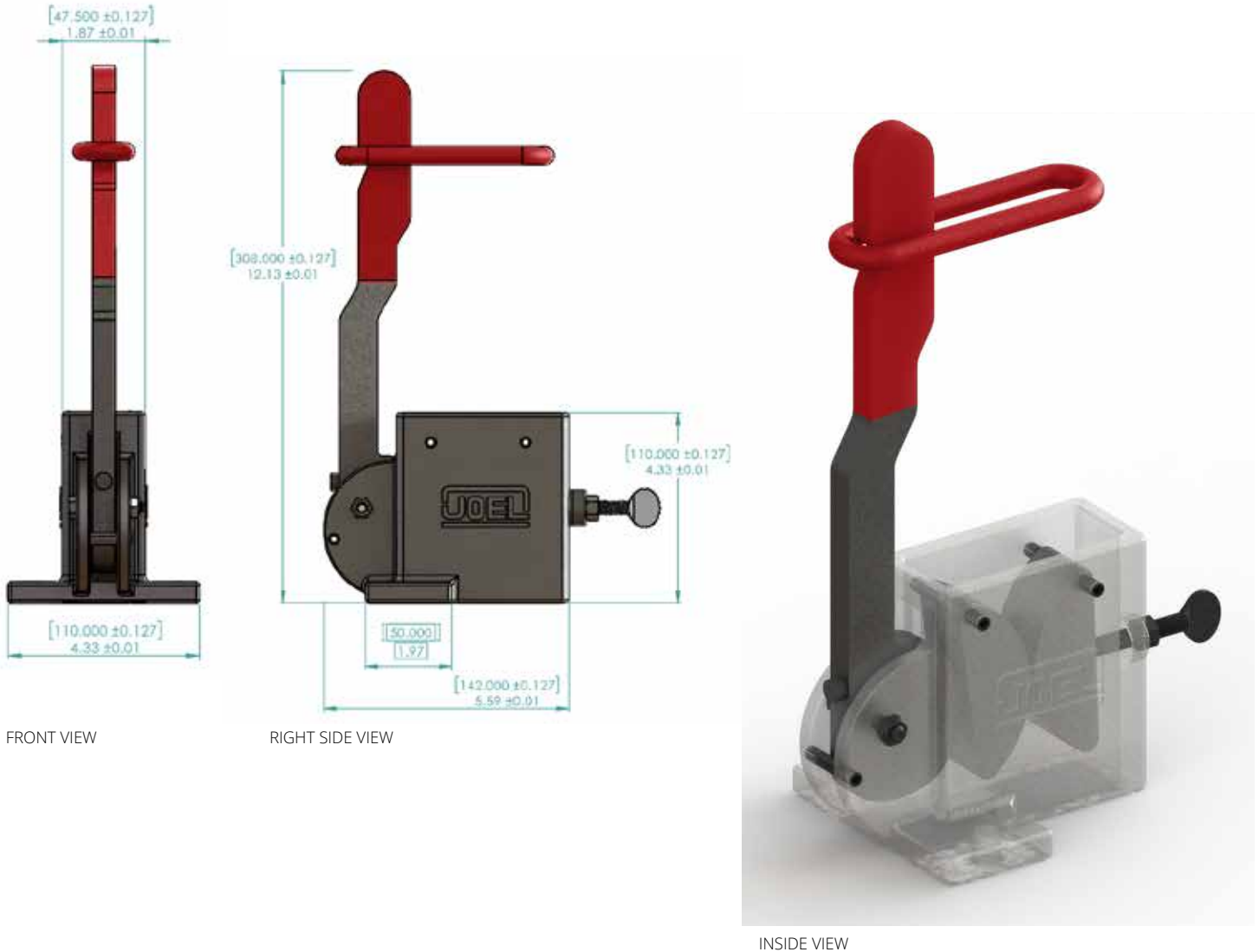
The Standard configuration comes with:

FEATURES

- Drilled on 80 mm Centres for JOEL Locking Rails
- Red rubber coated Handle and Ring
- Locks at top dead centre
- Thumbscrew adjustment for different operating line diameters
- Locking tabs and padlock available
- Can be drilled to suit other locking rails
- Thumbscrew can be replaced with a set screw for limited clearance

JOEL RIGGING ROPE LOCK

STANDARD JOEL ROPE LOCK VIEWS:



TECHNICAL DATA

Model N°	
• 250-U	Standard JOEL Rigging Ropelock
• 250-U-PL	Ropelock with additional locking tabs and padlock

JOEL THEATRICAL RIGGING CONTRACTORS
375 Watline Ave, Mississauga, On, L4Z 1P3
1-905-890-8802 | JOELTHEATRICAL.COM

