

JOEL RIGGING MULE BLOCK

MULE BLOCK OR DIVERTER BLOCK

JOEL Rigging Mule Blocks are used to redirect the path of one or more cables around an obstacle, such as structure. The mule blocks are configured to support 1 or more cables as required and typically used in pairs to create offset insets.

Available with Cast Iron or Steel sheaves as required for the load capacity.

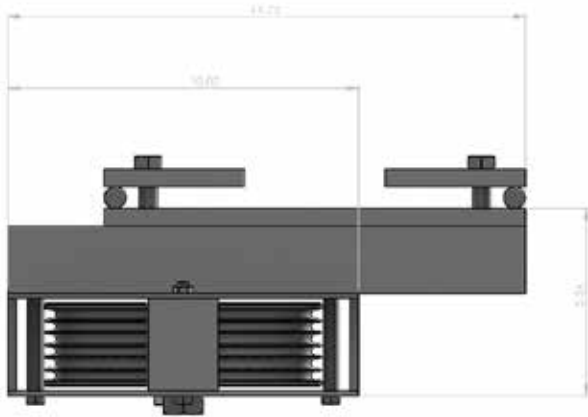


The Standard configuration comes with:

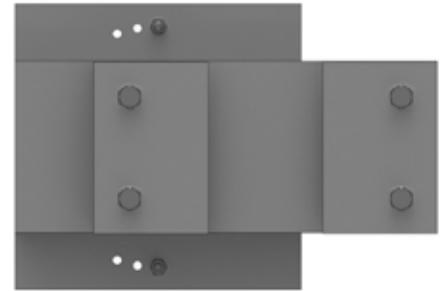
FEATURES

- Standard Groove for 1/4" Cable, other groove sizes available
- Painted Black
- Complete with Clip plates
- Cast Iron Sheaves, WWL up to 500 lbs
- Steel sheaves, working load limit (WLL) > 500 lbs
- Tapered Roller Bearings
- Shaft secured to prevent rotation

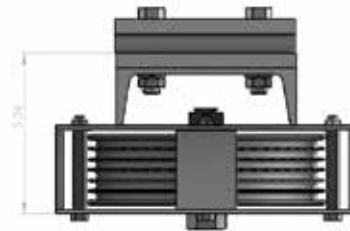
JOEL RIGGING MULE BLOCK



FRONT VIEW



TOP VIEW



RIGHT SIDE VIEW

TECHNICAL DATA

● Model N°		● Model N°	
● JOEL #2055-MB	1 (1/4") Groove	● JOEL #62055-MB	6 (1/4") Groove
● JOEL #22055-MB	2 (1/4") Groove	● JOEL #72055-MB	7 (1/4") Groove
● JOEL #32055-MB	3 (1/4") Groove	● JOEL #82055-MB	8 (1/4") Groove
● JOEL #42055-MB	4 (1/4") Groove	● JOEL #92055-MB	9 (1/4") Groove
● JOEL #52055-MB	5 (1/4") Groove	● Add Suffix -S for Steel Sheave	

