

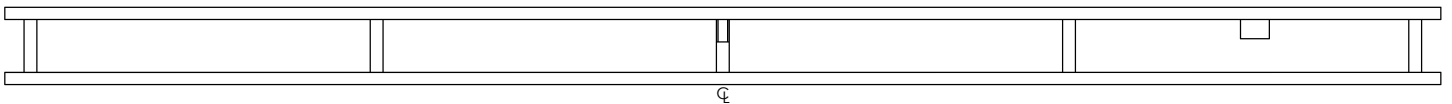
# JOEL RIGGING - TRUSS PIPE BATTEN

## Ladder Truss

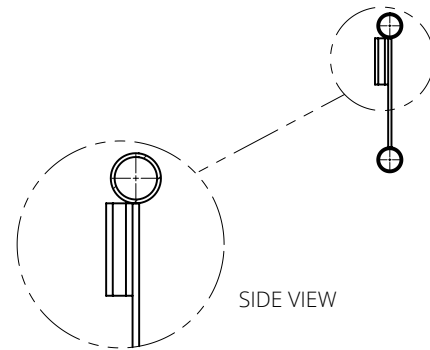
JOEL Rigging Ladder Truss provides a more rigid batten assembly as compared to a standard single batten. This rigidity permits higher load capacity per foot, larger spans between lift lines and the opportunity to dress cables to the top cord, keeping the bottom chord clear for lighting, audio or scenery.

Verticals are available in flatbar or pipe.

Sections are joined to create complete battens using JOEL Rigging's standard internal splices and mechanical fasteners



TYPICAL: CUSTOM FABRICATED ACCORDING TO PROJECT REQUIREMENTS



The Standard configuration comes with:

## FEATURES

- 1 1/2" Sch 40 pipe standard
- Sections upto 24' long
- Sections can be spliced together for longer battens
- Batten Extensions available
- Painted Black
- Footage markings available

**JOEL THEATRICAL RIGGING CONTRACTORS**  
375 Watline Ave, Mississauga, On, L4Z 1P3  
1-905-890-8802 | [JOELTHEATRICAL.COM](http://JOELTHEATRICAL.COM)



V2.1\_0122

