

JOEL RIGGING - 8 INCH LOFT BLOCK

SINGLE AND MULTI GROOVE SHEAVE

JOEL Rigging 8" Loft Blocks are designed to provide years of trouble-free service and are built with cast iron sheaves, tapered roller bearings and complete with cable retaining spacers.

JOEL Rigging also has these in 10" diameter, and 12" diameter with single grooves.

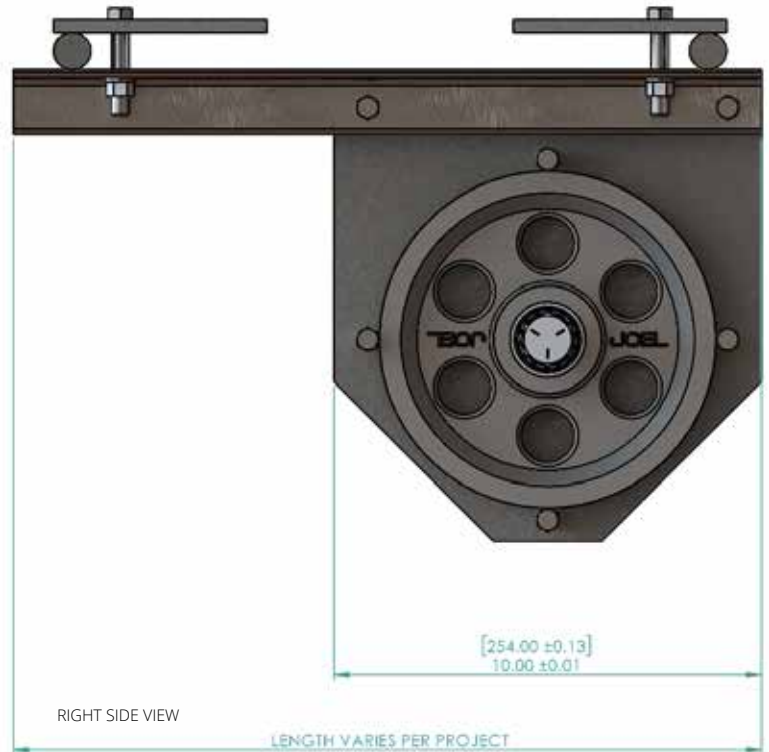
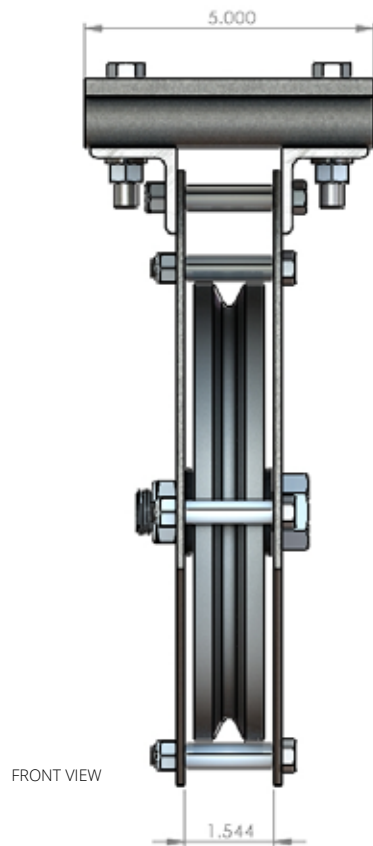


The Standard configuration comes with:

FEATURES

- Complete with Clip Plates or J Bolts as required
- 500 Pound SWL, higher load capacity available
- Available with up to 9 grooves for 1/4" Lifelines
- 10 Gauge Side plates and 3/16" thick base angles standard
- Painted Black, Red/Yellow available
- Side Plates enclose the entire sheave, preventing shearing hazards
- 4-9 Groove units, base angles are turned in to reduce foot print
- Can be mounted upright or under hung

JOEL RIGGING - 8 INCH LOFT BLOCK



TECHNICAL DATA

Model N°		Model N°	
• JOEL #2055	1 x ¼" Groove	• JOEL #62055	6 x ¼" Groove
• JOEL #22055	2 x ¼" Groove	• JOEL #72055	7 x ¼" Groove
• JOEL #32055	3 x ¼" Groove	• JOEL #82055	8 x ¼" Groove
• JOEL #42055	4 x ¼" Groove	• JOEL #92055	9 x ¼" Groove
• JOEL #52055	5 x ¼" Groove		

