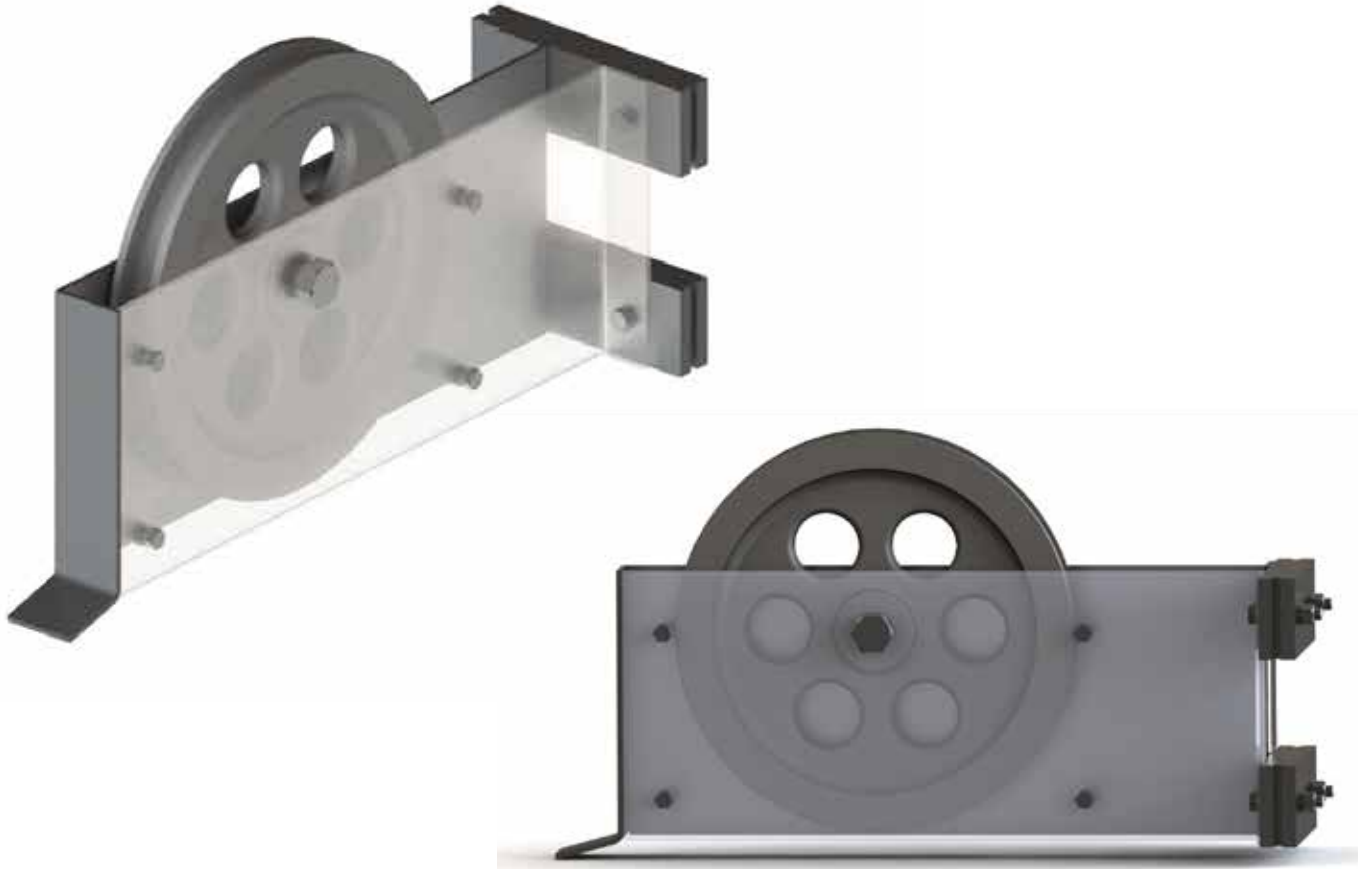


# JOEL RIGGING - 12 INCH FLOOR TENSION BLOCK

## Tension Block or Welsch Block

JOEL Rigging 12" Floor Tension Blocks are designed to provide years of trouble-free service. Built with cast iron sheaves bronze bushings, complete with rope retaining spacers, guide shoes and toe kick.

Standard units are grooved for 3/4" operating line.

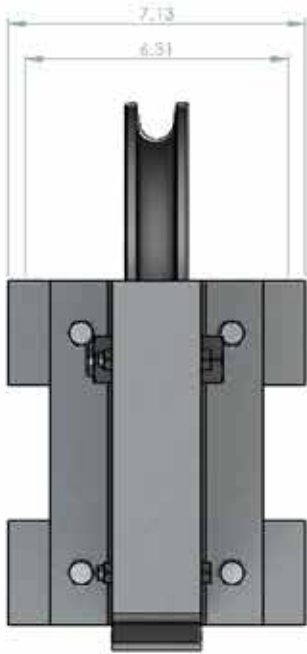


The Standard configuration comes with:

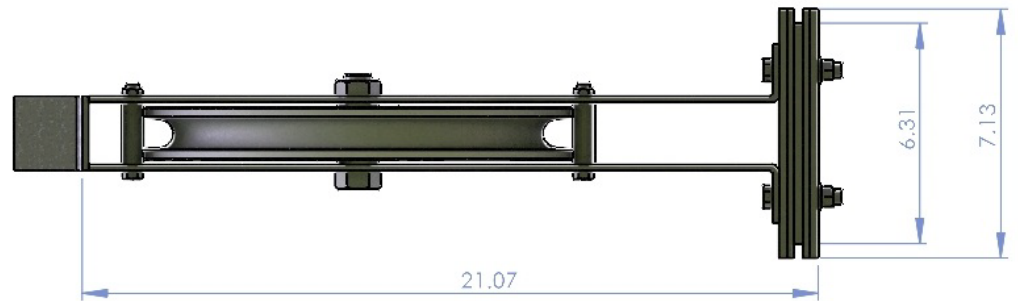
## FEATURES

- 7 Gauge Side plates, cast iron sheave
- Tapered roller bearings, optional
- 7/8" Groove available upon request
- Complete with mounting hardware and Rubber Shoes

# JOEL RIGGING - 12 INCH FLOOR TENSION BLOCK



FRONT VIEW



TOP VIEW

## TECHNICAL DATA

● Model N°	
● JOEL #3015-B	Bronze Bushings
JOEL #3015-T	Tapered Bearings
● Suffix *6	Configured for 6" Centres

