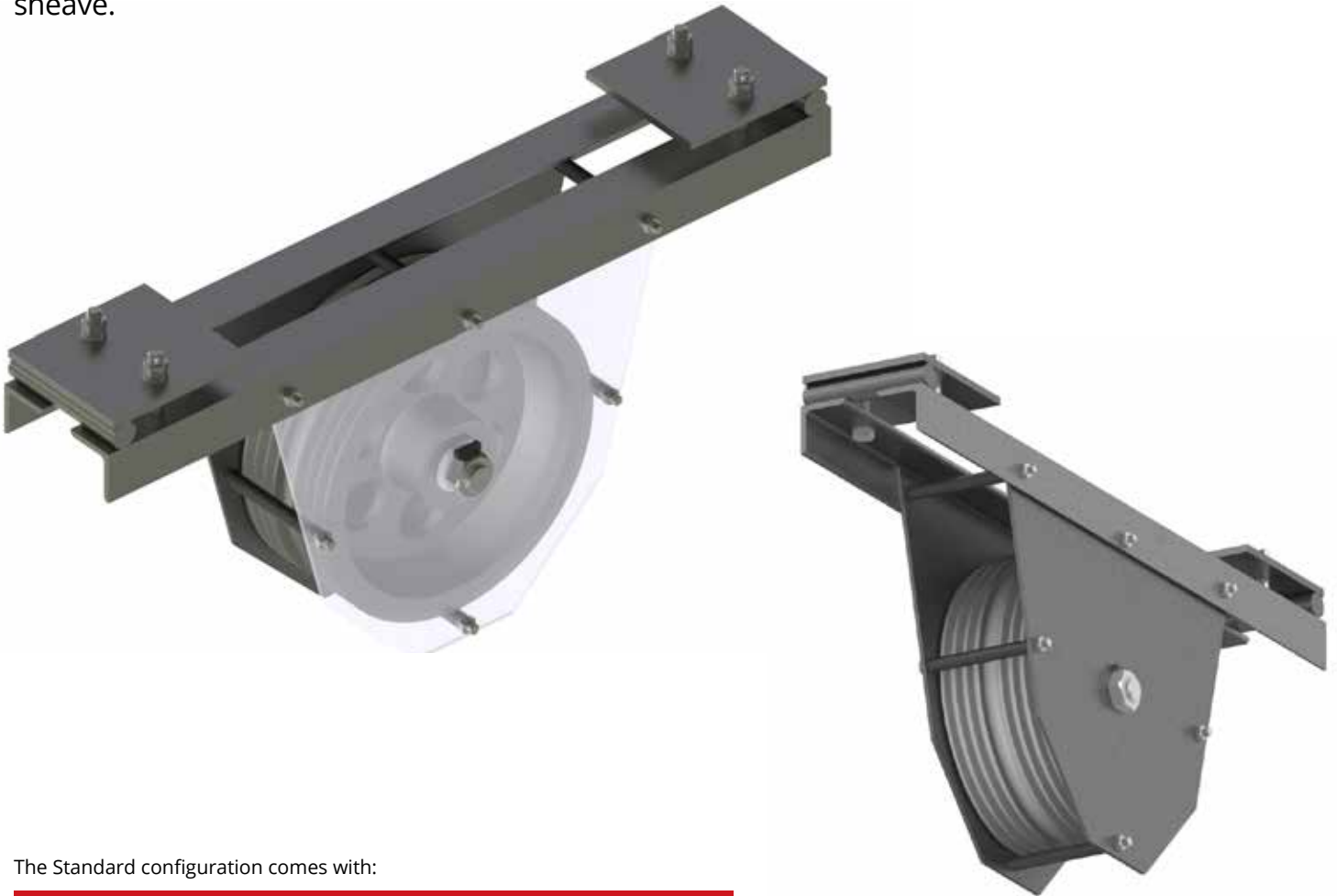


# JOEL RIGGING - 12 INCH CAST IRON HEAD BLOCK

## SINGLE PURCHASE, UPRIGHT / UNDER-HUNG MOUNTED

JOEL Rigging 12" Head blocks are designed to provide years of trouble-free service, built with cast iron sheaves tapered roller bearings, complete with cable retaining spacers.

Standard units are grooved for 3/4" Operating Line and 1/4" Cable(s), up to 9 cable grooves per sheave.



The Standard configuration comes with:

### FEATURES

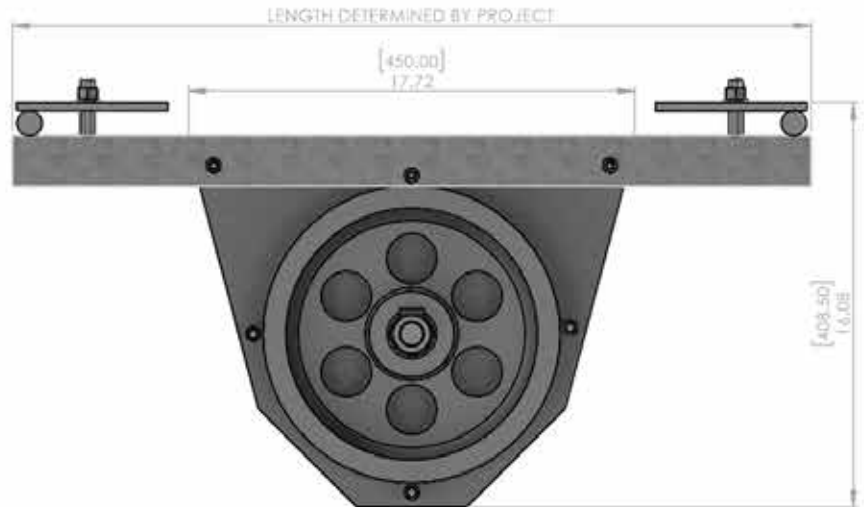
- Cast iron sheaves standard, steel and nylon available
- Sheaves can be configured for 6" centre mounting
- Different cable grooves available upon request
- SWL Cast iron - 2000 Lbs

# JOEL RIGGING - 12 INCH CAST IRON HEAD BLOCK

SINGLE PURCHASE, UPRIGHT / UNDER-HUNG MOUNTED



FRONT VIEW



RIGHT SIDE VIEW

## TECHNICAL DATA

Model N°	
● JOEL #43055	4 x ¼" liftlines, 1 x ¾" operating line
● JOEL #53055	5 x ¼" liftlines, 1 x ¾" operating line
● JOEL #63055	6 x ¼" liftlines, 1 x ¾" operating line
● JOEL #73055	7 x ¼" liftlines, 1 x ¾" operating line
● JOEL #83055	8 x ¼" liftlines, 1 x ¾" operating line

JOEL THEATRICAL RIGGING CONTRACTORS  
375 Watline Ave, Mississauga, On, L4Z 1P3  
1-905-890-8802 | [JOELTHEATRICAL.COM](http://JOELTHEATRICAL.COM)



V2.1\_0122

